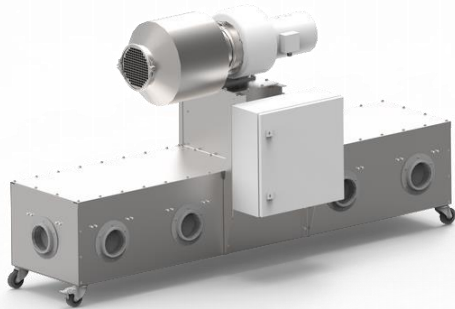


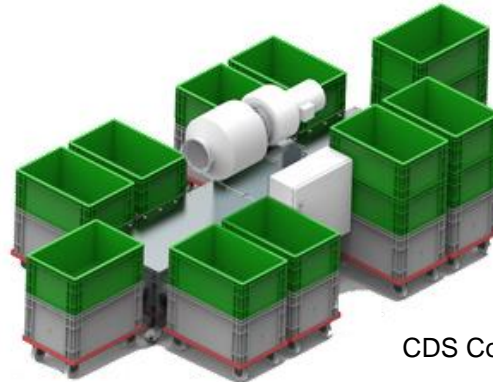
CDS – Cart Drying System

This flexible and easy to use drying system is specially made for drying of non-threshed corn ears or other non threshed seed. However, it can also be used to static drying of a multitude of different, smaller seed lot. You simply connect a moveable stack of containers onto the machine and start the drying process. The CDS-system has 10 connections for 10 individual carts, with an automatic closing valve. When you disconnect a cart by pulling it out of the machine, the connection will automatically be closed.

the fan speed is regulated with a frequency controller, so you can set the amount of airflow through the seeds. API regulated heating system regulates the temperature of the airflow.



Cart Drying System



CDS Connected

Technical information	
Power	3x400+N Vac 50Hz
Dimension	2250mmx900mmx1300mm (ecl. stacks)
Weight	Approx. 120kg
Noise	65-70dB (A)

(demonstration video also available)